

CertainTeed

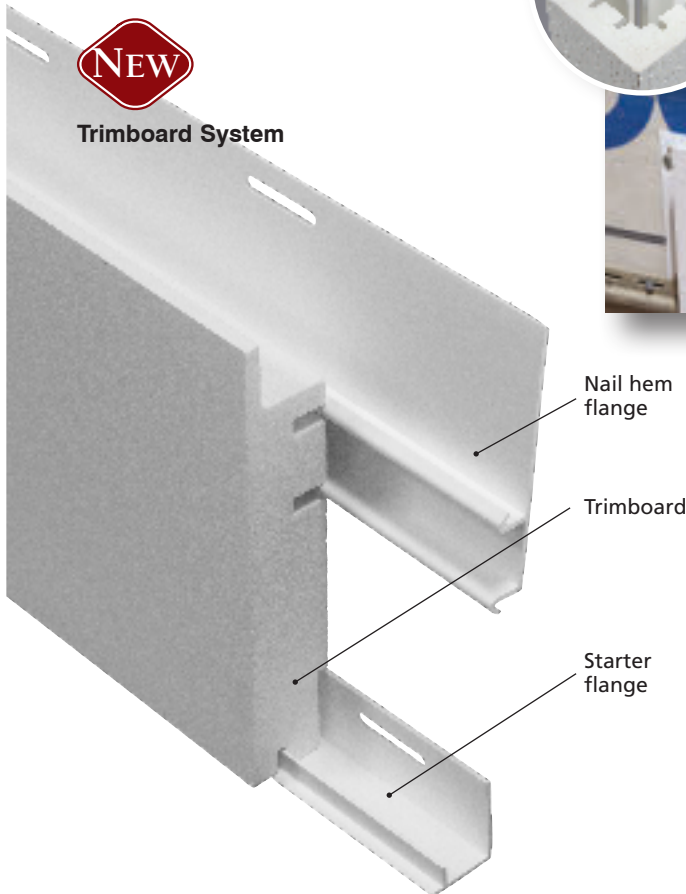
RESTORATION MILLWORK[®]

InvisiPro™ Hidden Fastening System

Introducing: NEW Hidden Fastening System for Trimboard and Corner Applications

The InvisiPro™ system provides an attractive, easy-to-install alternative to traditional face nailing. **Trimboards and J-Pocket Trimboards** feature grooved millwork that precision-fits to flanges secured directly to the wall, working together with both nail hem flange and starter flange for a secure fit. The flanges are concealed, leaving a face nail-free installation with no nail holes to fill. **One-piece corners** also utilize the same nail hem flange, eliminating the need to face-nail.

- ◆ Hidden attachment points
- ◆ Secures tightly to wall with screws
- ◆ Installs before siding



NEW

Trimboard System

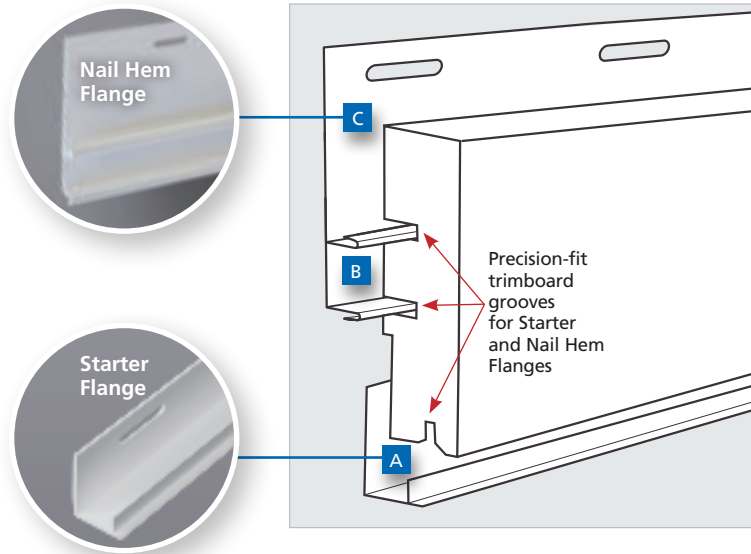
Corner System

CertainTeed
SAINT-GOBAIN

Three-Piece Trimboard System

To help you finish window, door and other openings more quickly and neatly, CertainTeed has introduced trimboard and J-pocket trimboard with a grooved design similar to that of the one-piece outside corner. These grooves are sized to fit the molded protrusions on nail hem flanges providing hidden attachment points for trim pieces and eliminating the need to fill nail holes.

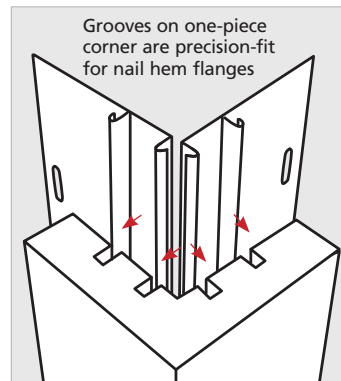
The trimboard system installation consists of (A) fastening the starter flange to the wall, (B) inserting the nail hem flange into the trimboard grooves and (C) fastening the trimboard system to the wall via the nail hem



Corner System

One-piece corners feature grooved millwork that precision-fits to flanges secured directly to the wall, eliminating the need to face-nail these trim elements. The flange is concealed, leaving only smooth installation with no nail holes to fill.

- ◆ **Corners can still be installed traditionally, if desired**



InvisiPro™ Trimboard System Availability

Trimboards (with grooves) Without J-Pocket Nominal Size	Smooth	TrueTexture™ Woodgrain
5/4 x 4" x 10'	●	●
5/4 x 6" x 10'	●	●

Trimboards (with grooves) With J-Pocket Nominal Size	Smooth	TrueTexture™ Woodgrain
5/4 x 4" x 10'	●	●
5/4 x 6" x 10'	●	●

Nail Hem Flange Nominal Size	Starter Flange Nominal Size
3-1/2" x 10'	1" x 10'

InvisiPro™ One-Piece Corner System Availability

One-piece Corners Without J-Pocket Nominal Size	Smooth	TrueTexture™ Woodgrain
5/4 x 4" x 4" x 10'	●	●
5/4 x 4" x 4" x 20'	●	●
5/4 x 6" x 6" x 10'	●	●
5/4 x 6" x 6" x 20'	●	●

One-piece Corners With J-Pocket Nominal Size	Smooth	TrueTexture™ Woodgrain
5/4 x 4" x 4" x 10'	●	●
5/4 x 4" x 4" x 20'	●	●
5/4 x 6" x 6" x 10'	●	●
5/4 x 6" x 6" x 20'	●	●

Nail Hem Flange Nominal Size
3-1/2" x 10'

[**Be Certain**] Confidence worth building on.™

ASK ABOUT OUR OTHER CERTAINTEED® PRODUCTS AND SYSTEMS:

ROOFING • SIDING • TRIM • DECKING • RAILING • FENCE
GYPSUM • CEILINGS • INSULATION

www.certainteed.com <http://blog.certainteed.com>

CertainTeed Corporation
P.O. Box 860
Valley Forge, PA 19482

Professional: 800-233-8990
Consumer: 800-782-8777

© 5/14 CertainTeed Corporation, Printed in U.S.A.
Code No. RM065